

PRODUCT DATA SHEET

22mm LED SIGNALS



DESCRIPTION

Screw-on with wire guard for range, ease of installation and the ability to daisy chain lights into a string terminals. It offers light diffusion in various colours for easy application in different environments.

FEATURES

Shockproof, low power consumption, long life and cool operation.
Provides the use of an ultra-bright LED that is not sensitive to external light.
Diffused light provides high visibility and more.
Suitable for working with 24V AC-DC working voltage.
Easy and convenient to install and use.

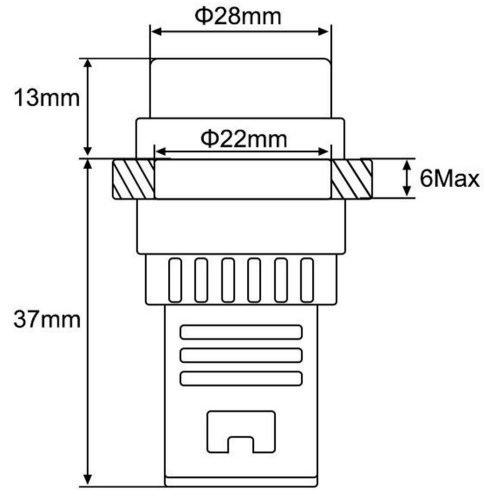
MARKINGS



- It complies with CE standards.

PRODUCT DATA SHEET

22mm LED SIGNALS



SECTIONS AND DIMENSIONS

PRODUCT CODE	DIAMETER(mm)	DESCRIPTION	COLOUR
22 - 24V - K	22	Led Signal 24V. AC-DC	Red